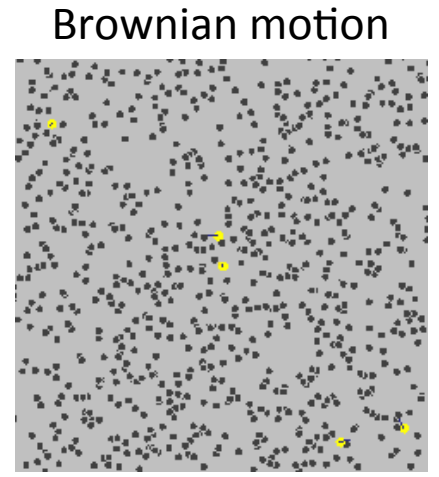
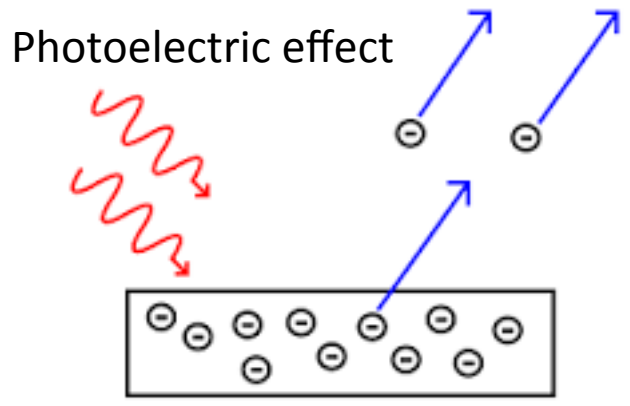


# Albert Einstein 1879-1955

Germany  
Switzerland  
USA

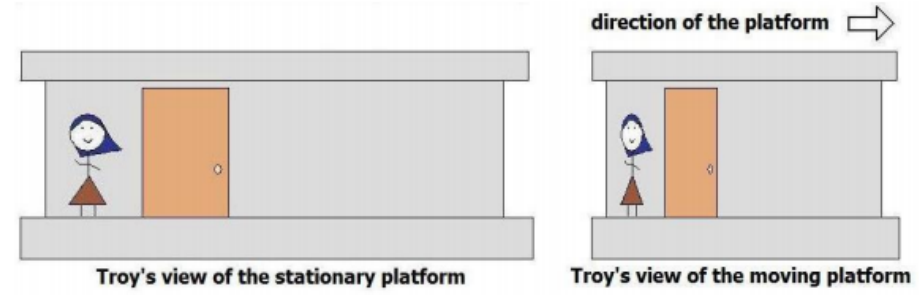
Nobel 1921



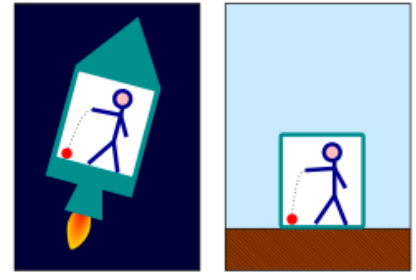
“God does not play dice”  
(against probabilistic quantum mechanics)

Nuclear energy

$$E = \frac{m_0 c^2}{\sqrt{1 - \frac{v^2}{c^2}}}$$



General relativity



Gravitational lensing

